

Parts Bag

(8) PN 2205
1 3/4" (44mm)

PN 1285

PN 1291 wrench
7/16" (11mm)

(4) PN 1253
5/8" (16mm)

(8) PN 1235

(4) PN 1205

SkiErg Parts

Helpful Hint: Read through instructions before beginning assembly. It will be helpful to have another person help with assembly and installation.

1 Remove the 5/8" screws and washers where noted.

2

Using the screws and washers removed in step 1, install the short tubes at the caster wheel end of the base.

(4) PN 1253
5/8" (16mm)

Install the long tubes at the other end of the base.

3

4

(2) PN 2205
1 3/4" (44mm)

This hole toward caster wheel end of base.

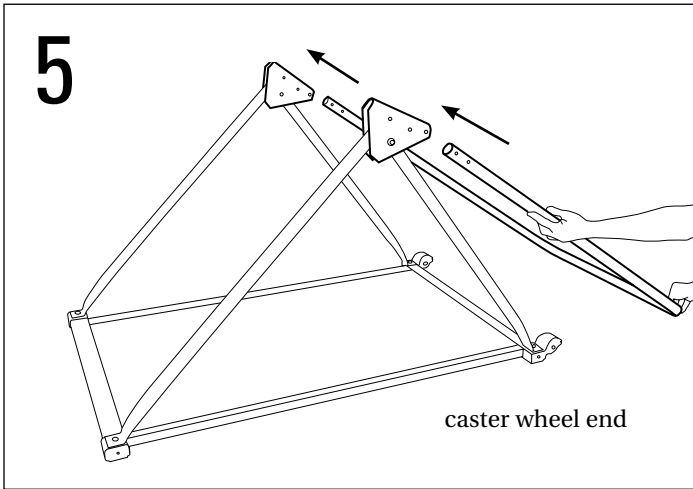
inside

short tube

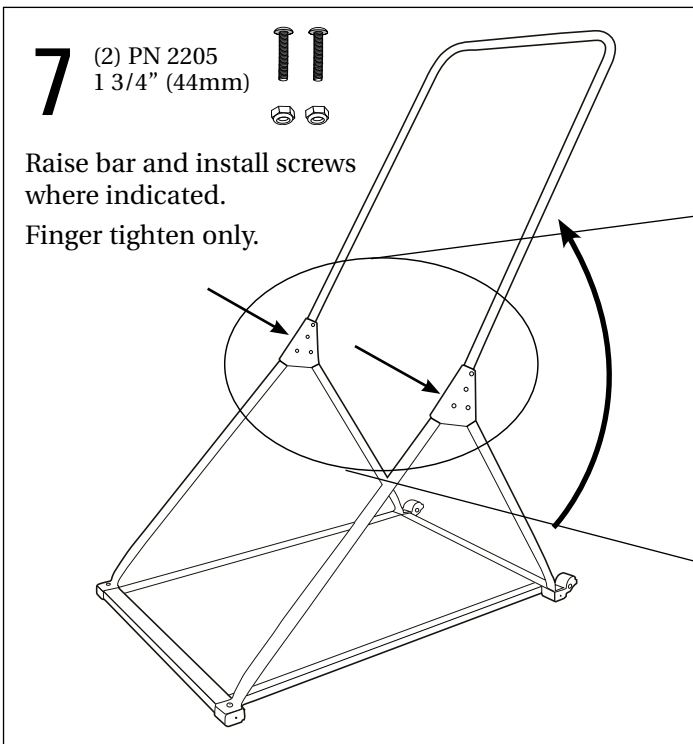
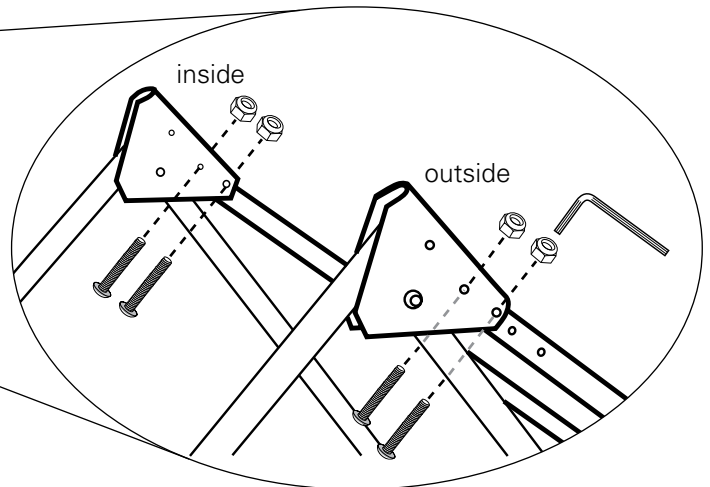
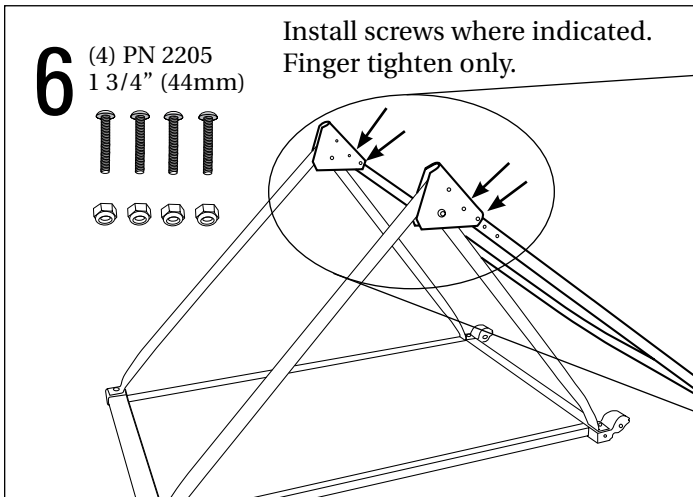
outside

short tube

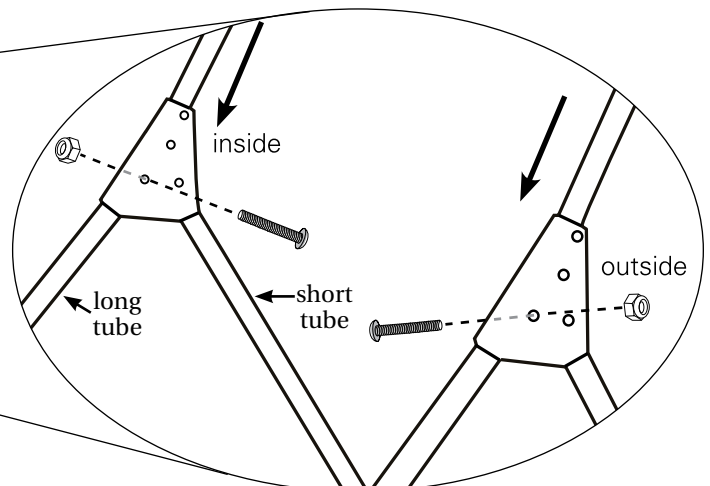
Install nuts to the outside of the floor stand. Finger tighten only.



Note: Nuts should be installed on the outside of the floor stand.

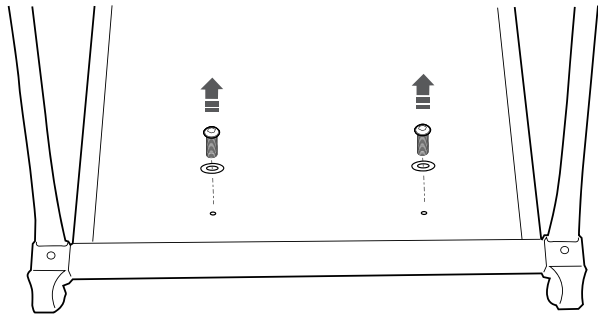


Note: Nuts should be installed on the outside of the floor stand.

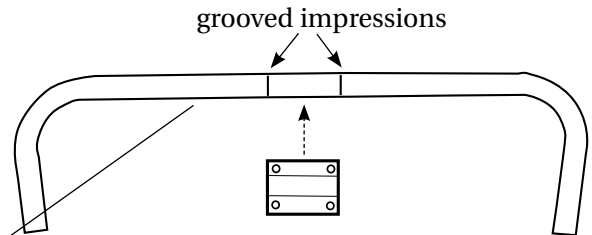


Helpful Hint: It will be helpful to have another person hold the SkiErg in place during the following steps.

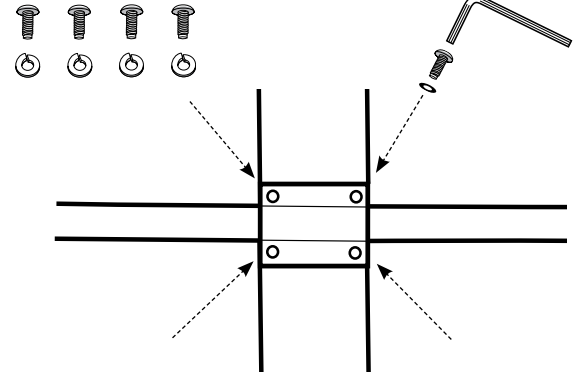
8 Remove two screws and washers (before SkiErg is put into place on the floor stand).



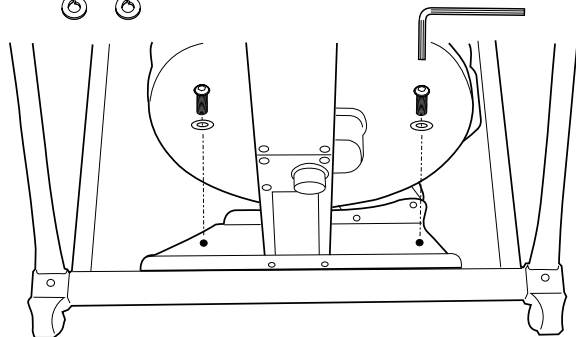
9 Center bracket between the grooved impressions circling the bar.



10 (4) PN 1253 5/8" (16mm)



11 (2) PN 1248 3/4" (19mm) Install SkiErg on floor stand using the screws and washers removed in step 10.



12 Completely tighten all fasteners.

