

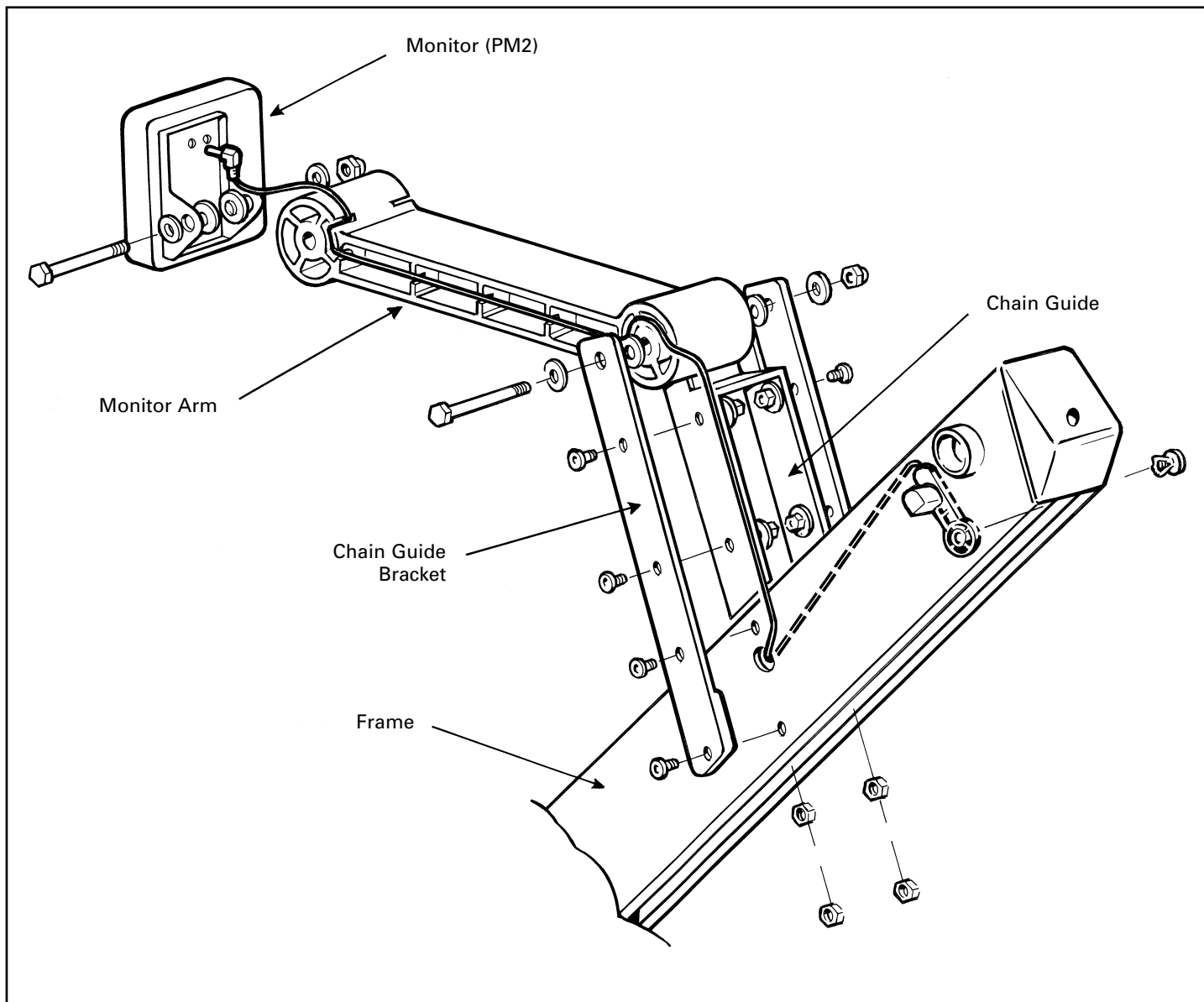
Monitor/Sensor Cable Routing

Tools Required:

Screwdriver

3/16" (4mm) Allen key

1/2" (13mm) spanner



Note: the Indoor Rower is built to Imperial measurements, however you may have to use the closest Metric tool available in the UK (shown in brackets)